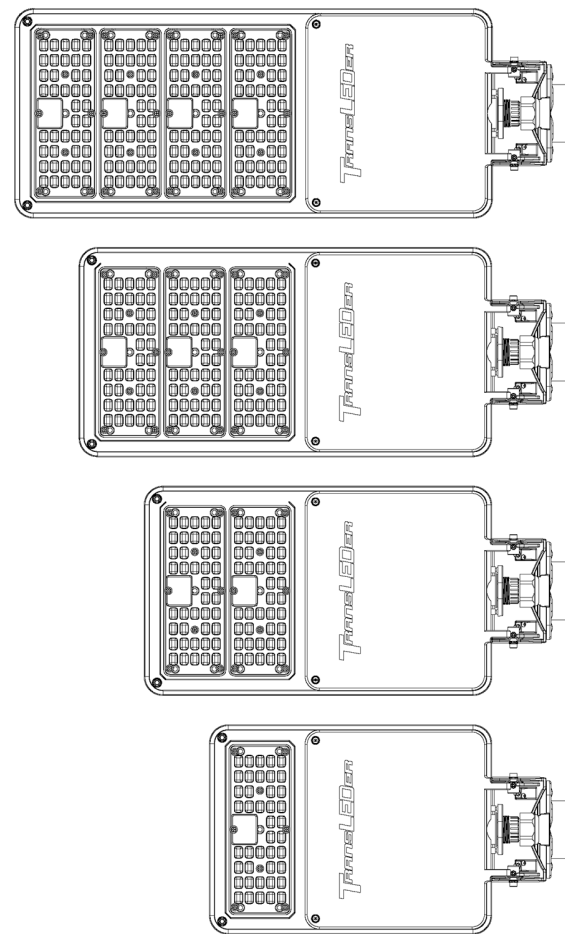


LED Area Lighting Luminaire INSTALLATION GUIDE

AL-090-BB-CC-DD-E-FF
 AL-160-BB-CC-DD-E-FF
 AL-245-BB-CC-DD-E-FF
 AL-275-BB-CC-DD-E-FF

IMPORTANT NOTICE

- Ensure the supply voltage corresponds to the voltage indicated on the fixture's label. Neglecting this precaution could damage the light fixture and nullify the warranty.
- Always disconnect the power source before installation or maintenance to minimize potential electrical shocks.
- It is crucial to connect the earthing wire properly to prevent electrical shock or hazards.
- This lighting fixture should be installed according to local electrical regulations. If you're unsure about these codes and requirements, it's recommended that you seek advice from a professional electrician.
- If a NEMA photo control is part of the installation, please refer to the specific section on NEMA Receptacles for guidance.
- If the mounting bolts are entirely removed during servicing, it's important to start threading them by hand before using power tools. This will help prevent cross-threading or stripping of the bolts during reinstallation.
- This Class II light fixture is specifically engineered for outdoor wet locations.
- Only the manufacturer, a service agent, or a similarly authorized individual could replace any electrical components in this fixture, such as the light source, the driver, the SPD, and others.



**25 Years of
Illuminating Lives**



PREPARE FOR INSTALLATION

- The slip-fitter, made of cast Aluminum, is engineered to attach to a pipe tenon or rigid conduit with outer diameters ranging between 1.660" (equivalent to 1.25" NPS) and 2.375" (equivalent to 2" NPS).
- The luminaire's tilt is secured by tightening two hex socket head bolts. For precise adjustment, incremental marks of 20° (-10° to +10°) are provided, allowing tilting in 5° increments.
- To accommodate various outer diameters of a round power cable, three distinct inner seals are included:
 - Large seal: suitable for outer diameters from 0.55" to 0.75";
 - Medium seal: suitable for outer diameters from 0.39" to 0.55";
 - Small seal: suitable for outer diameters from 0.28" to 0.39".
 - By default, the medium seal is pre-installed in the cable gland.
 - A large and a small seal are also provided in a separate bag accompanying the luminaire, ensuring adaptability to different cable sizes when required.

ADJUST THE SLIP-FITTER TILTING ANGLE

The initial tilting angle is set at zero degrees. To adjust this, loosen the two **hex socket head bolts** on the tilting panel and move the slip-fitter along the tilt track to your desired position. Once adjusted, secure the position by tightening the bolts with a maximum torque of 9.0 lb-ft (equivalent to 12.2 N-m).

Reference Figure 1.

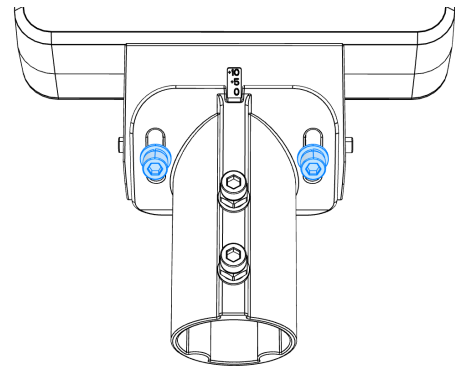


Figure 1

PREPARE THE CABLE GLAND

The cable gland comes pre-installed with a medium seal. The following procedures should only be carried out if a different seal size is necessary.

To swap the seal in the cable gland,

- Find the suitable seal that corresponds to the outer diameter of the cable in the bag attached;
- Unscrew the **sealing nut** from the cable gland;
- Replace the current seal with the appropriate seal by inserting it into the main body of the cable gland;
- Reattach the sealing nut, but do not fully tighten it yet to allow for the insertion of the power cable.

Reference Figure 2.

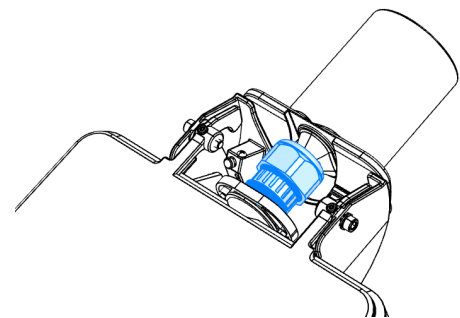


Figure 2

PREPARE THE SLIP-FITTER

Unfasten the two **hex socket head bolts** that are connected to the slip-fitter. Move the slip-fitter to the desired location. Turn the luminaire so the TransLEDer trademark faces upwards, ready for the power connection.

Reference Figure 3.

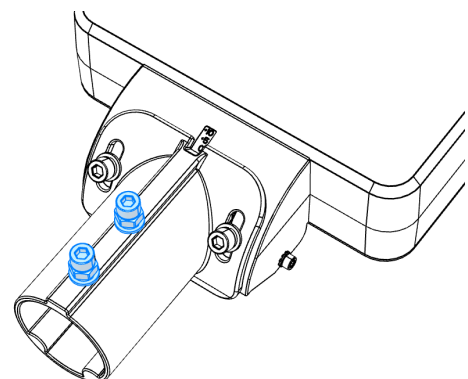


Figure 3

CONNECT THE POWER CABLE

STEP 1:

Unscrew the two flat-head screws and open the access door with the TransLEDer trademark.

Reference Figure 4

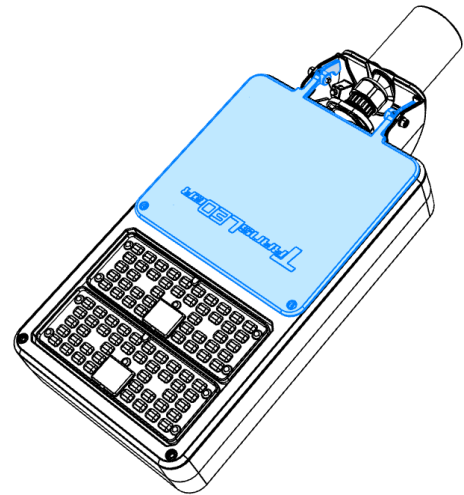


Figure 4

STEP 2:

Guide the power cable into the luminaire through the slip-fitter, utilizing the cable gland and strain relief device for a secure passage.

Reference Figure 5

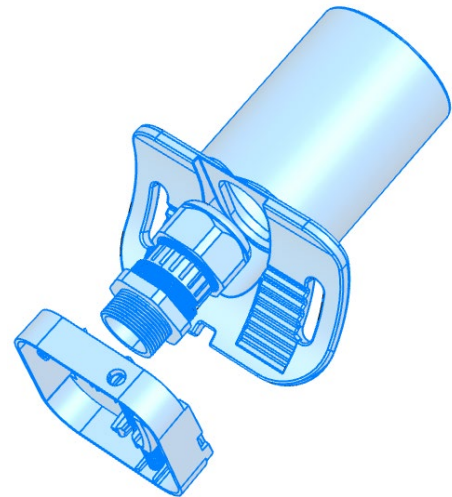


Figure 5

STEP 3:

Loosen the three flat-head screws in the terminal blocks marked with L1, G, and L2/N.

Reference Figure 6

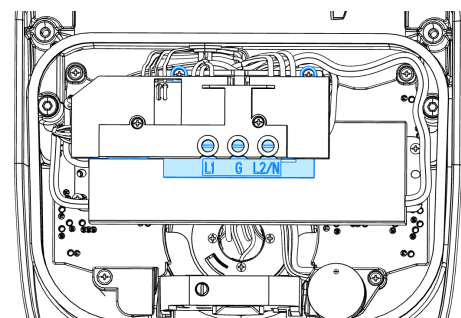


Figure 6

STEP 4:

Proceed with the following electrical connections to the terminal blocks:

- Attach the phase wire L1 (**BLACK**) from the power cable to the line supply slot on the terminal block marked as L1. Secure it by tightening the screw. Check the wire connection for accuracy.
- Link the ground wire (**GREEN**) from the power cable to the ground slot on the terminal block marked as G. Ensure it is secure by tightening the screw. Verify the wire connection.
- Connect the neutral wire (**WHITE**) from the power cable to the neutral supply slot on the terminal block marked as L2/N. Fasten it by tightening the screw. Review the wire connection.

STEP 5:

Retract the power cable, then secure it by tightening the **flat-head screw** on the **strain relief device**.

Reference Figure 7.

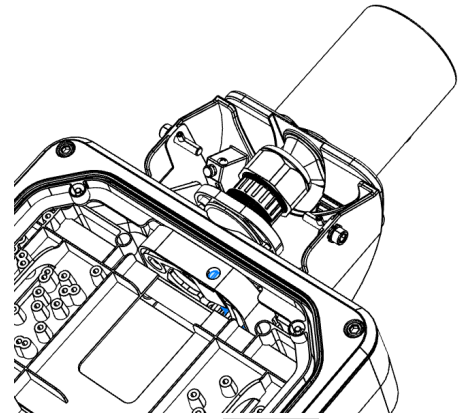


Figure 7

STEP 6:

Secure the access door by closing it and fastening the two flat-head screws.

STEP 7:

Ensure the cable gland is secure by tightening its sealing nut.

STEP 8:

Retract the power cable towards the tenon. Move the luminaire onto the tenon. Adjust the luminaire to your desired position by rotating it.

STEP 9:

Inspect the vertical and horizontal levels of the luminaire. Tighten the two **hex socket head bolts** attached to the slip-fitter, then use a wrench to tighten the nuts and firmly secure the luminaire to the tenon with a maximum torque of 9.0 lb-ft (equivalent to 12.2 N-m).

Reference Figure 8.

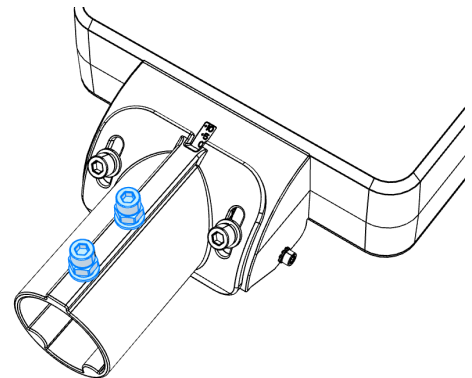


Figure 8

INSTALL PHOTOCELL

Ensure the photocell blades are aligned with the receptacle's power contact circuits. Note that the neutral photocell blade is larger than the line and load blades, which ensures correct polarization when mating. Once the blades are correctly aligned with the receptacle's power contact circuits, press down until the photocell rests on the receptacle's mating surface, causing a slight compression of the photocell's gasket. Complete the mating process by rotating the photocell clockwise to lock it into position.

PHOTOCELL ORIENTATION

The receptacle should be positioned on the luminaire housing such that the North indicator on the photocell points towards the North in the Northern Hemisphere (or South in the Southern Hemisphere). By pressing and holding the **PUSH TO UNLOCK** button on the rotatable receptacle base, you can rotate the receptacle clockwise or counter-clockwise to achieve the correct orientation. The 355° stop will likely be activated if you encounter resistance while rotating. In this case, rotate the receptacle base in the opposite direction until you reach the desired orientation. Once done, release the **PUSH TO UNLOCK** button and check the photocell to ensure it is securely locked in place.

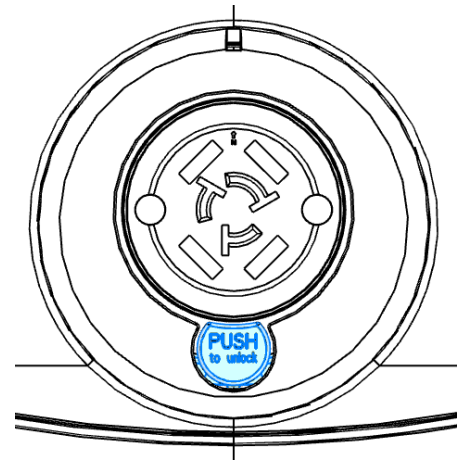


Figure 10

Reference Figure 10.

